

Maintenance
instructions

SIEGENIA[®]
SOLUTIONS INSIDE



TITAN.

Maintenance instructions:
TITAN iP, TITAN AF, FAVORIT.

WINDOW HARDWARE
DOOR HARDWARE
SLIDING DOOR HARDWARE
VENTILATION TECHNOLOGY
BUILDING TECHNOLOGY

WINDOW HARDWARE

TITAN

Table of Contents

Safety Instructions	2
Installing and Removing the Window Sash	3
Making Adjustments	4
- Stay	5
- Stay - Top Hinge	6
- Locking Point	7
- Tilt Sash Hinge - Corner Hinge	8
- Rebate Corner Hinge	9
- Bottom Hinge	10
- Snapper - Sash Lift - Run-Up	11
- Tilt Striker - Additional Component (heavy)	12

Target Audience

This documentation is aimed at specialist window companies. All procedures described here must only be carried out by experienced professionals!

Feedback on documentation

We are always happy to receive comments and suggestions for the improvement of our documentation. Please e-mail us your comments to 'dokumentation@siegenia.com'.

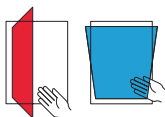
Safety Instructions

- Always observe the safety instructions when carrying out work to windows/doors!
- Keep children and people who cannot estimate the dangers away from the point of danger!
- Avoid spilling lubricants onto the floor or leave tools unattended in the working area!



Risk of injury from falling through open windows

- Always use stable step ladders.
- Protect yourself against falling out of windows.
- Do not steady yourself or hold on to the opened sash.



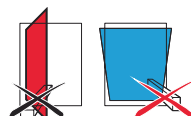
Danger of injury through trapping of body parts

- Never reach into the opening between the sash and the outer frame when closing windows/doors.



Risk of injury or damage from pressing the sash against the reveal

- Do not press the sash against the window reveal



Risk of injury from trapping parts of the body between the sash and the frame

- Do not insert obstructions into the opening between sash and frame.



Risk of injury and material damage from overloading the sash

- Do not overload the sash.



Risk of injury from the effect of wind

- Prevent wind from acting on the open sash.
- During wind/drafts, close and lock windows.

⚠ WARNING

Operational malfunction of the window components may result in injury!

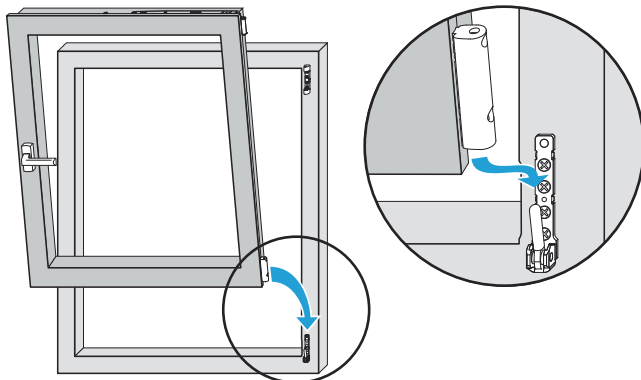
- ▶ Do not continue to use the window once an operational malfunction has been identified.
- ▶ Secure the window and instruct a specialist company to carry out the repairs.

Installing and Removing the Window Sash

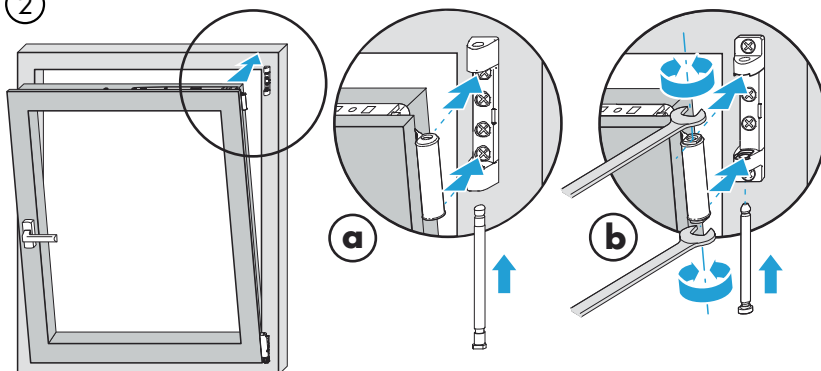
Install the window sash



1



2



a = Hinge side TITAN

Insertion of the top hinge pin at 0° or 60° opening position.

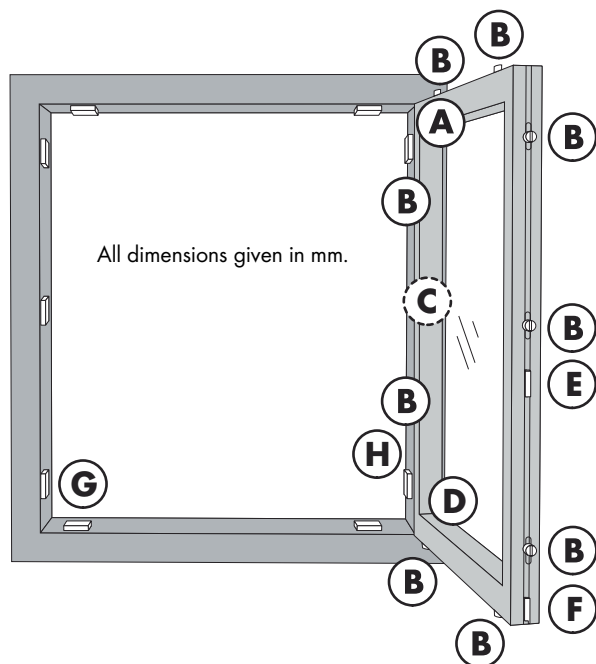
b = Hinge side Si-line

Note the orientation of the bushes relative to the top hinge
– upper and lower sleeve must be parallel.

Remove the window sash

Remove it in the reverse order.

Making Adjustments



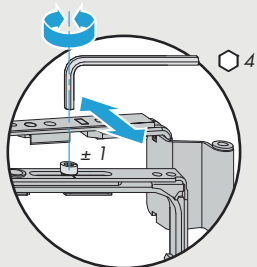
- A** Stay and top hinge
- B** Locking point
- C** Tilt sash hinge (only for tilt sash)
- D** Corner hinge - rebate corner hinge - bottom hinge
- E** Door snapper
- F** Sash lift
- G** Run-up - tilt striker
- H** Additional component (heavy)

Making Adjustments

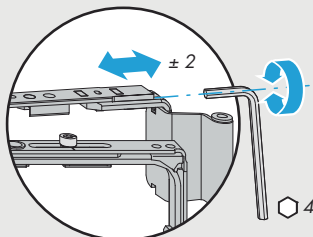
A Stay

TITAN iP, AF

Pressure adjustment

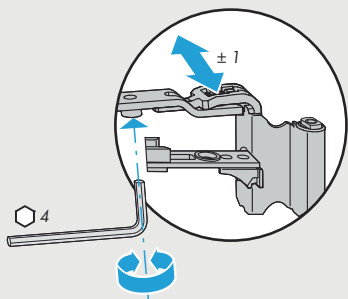


Side adjustment

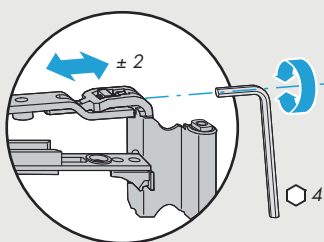


FAVORIT

Pressure adjustment



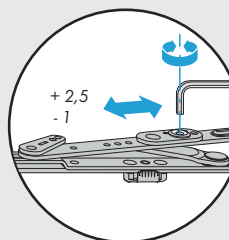
Side adjustment



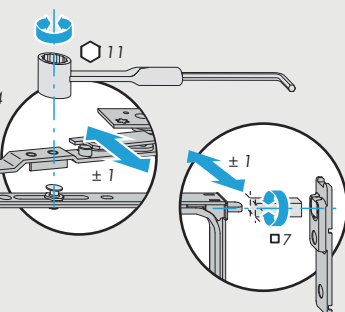
Making Adjustments

A Stay V-V/V-V 34/SE

Side adjustment

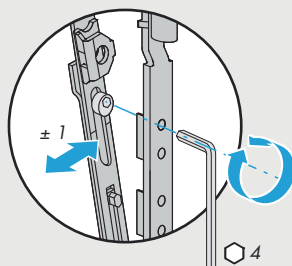


Pressure adjustment



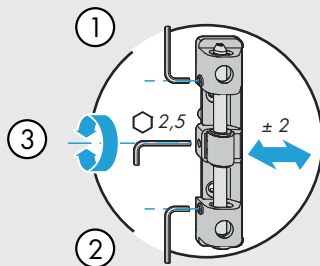
A Arched head stay

Pressure adjustment



A Arched head top hinge

Side adjustment

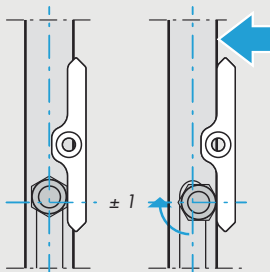
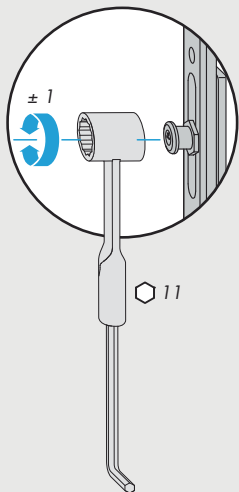


Making Adjustments

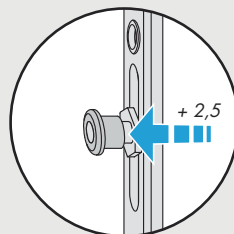
B Locking point

TITAN iP, AF - comfort mushrooms

Pressure adjustment

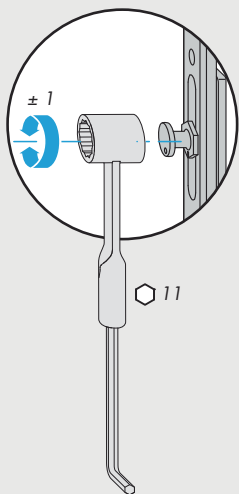


Adjustment



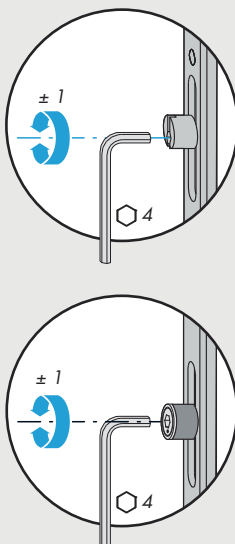
TITAN iP/FAVORIT

Pressure adjustment

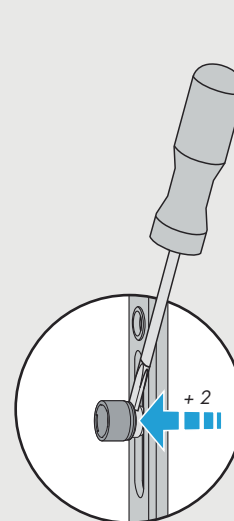


TITAN iP/FAVORIT

Pressure adjustment



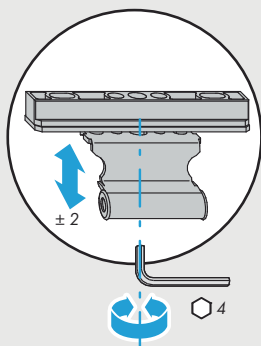
Adjustment



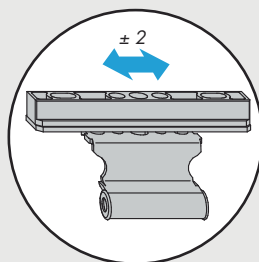
Making Adjustments

C Tilt sash hinge

Height adjustment

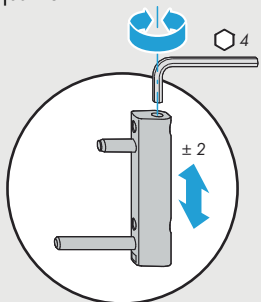


Side adjustment

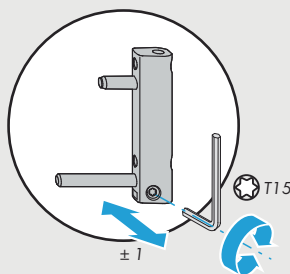


D Corner hinge

Height adjustment

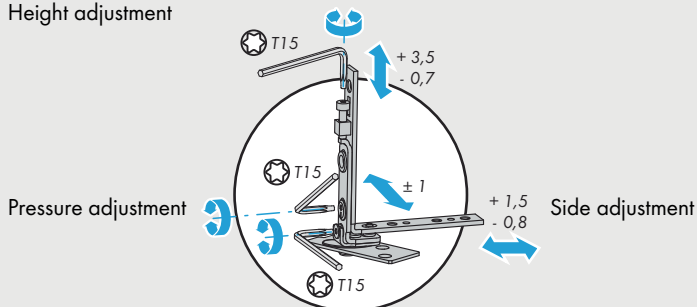


Pressure adjustment



D Corner hinge SE

Height adjustment

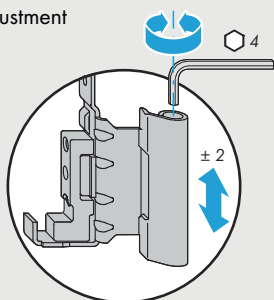


Making Adjustments

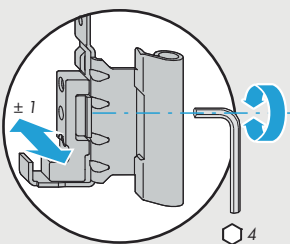
D Rebate corner hinge

Hinge side TITAN/Si-line PVC

Height adjustment

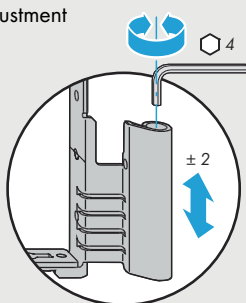


Pressure adjustment

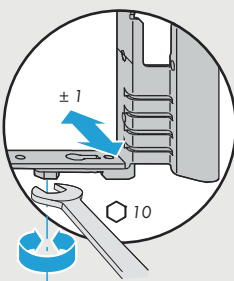


Hinge side Si-line timber

Height adjustment

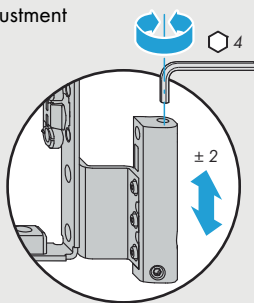


Pressure adjustment

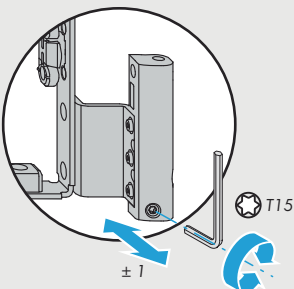


Hinge side TITAN timber

Height adjustment



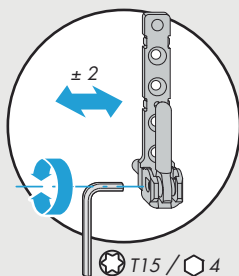
Pressure adjustment



Making Adjustments

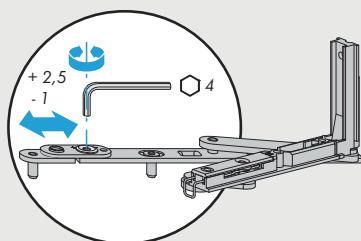
D Bottom hinge

Side adjustment

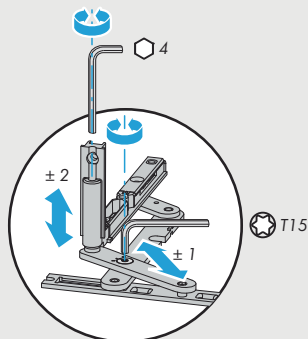


D Bottom hinge V-V/ Corner hinge V-V

Side adjustment



Height and pressure adjustment

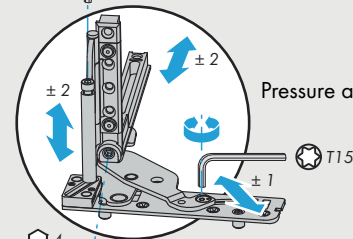


D Bottom hinge V-V/ Corner hinge V-V 34

Height adjustment



Pressure adjustment



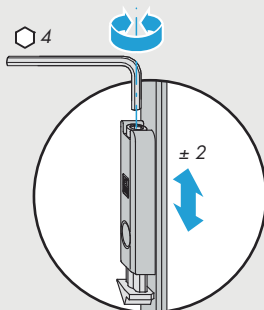
Side adjustment



Making Adjustments

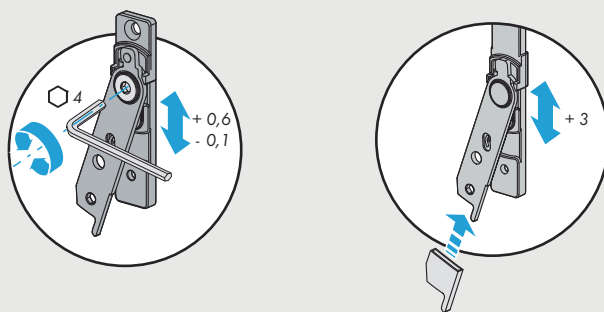
E Snapper

Height adjustment



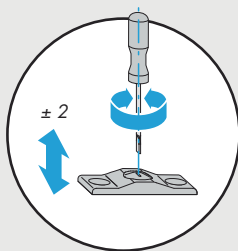
F Sash lift with mishandling device

Height adjustment



G Arched head run-up

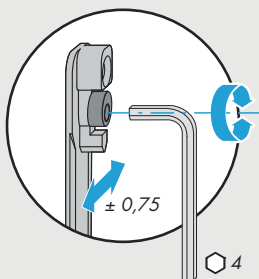
Height adjustment



Making Adjustments

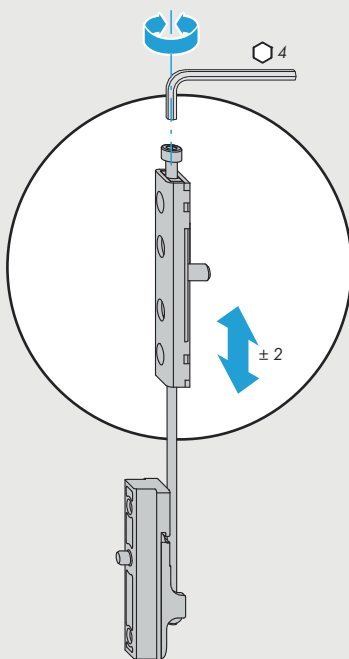
Ⓒ Tilt striker

Pressure adjustment



Ⓗ Additional component V-V heavy

Height adjustment



SIEGENIA®
SOLUTIONS INSIDE

Head Office:
Industriestraße 1-3
57234 Wilnsdorf
GERMANY

Phone: +49 271 3931-0
Telefax: +49 271 3931-333
info@siegenia.com
www.siegenia.com



You can find address details for our
international sites at: www.siegenia.com

SIEGENIA worldwide:

Austria Phone: +43 6225 8301
Belarus Phone: +375 17 3121168
Benelux Phone: +32 9 2811312
China Phone: +86 316 5998198
France Phone: +33 3 89618131
Germany Phone: +49 271 39310
Great Britain Phone: +44 2476 622000

Hungary Phone: +36 76 500810
Italy Phone: +39 02 9353601
Poland Phone: +48 77 4477700
Russia Phone: +7 495 7211762
South Korea Phone: +82 31 7985590
Switzerland Phone: +41 33 3461010
Turkey Phone: +90 216 5934151
Ukraine Phone: +380 44 4637979

Contact your dealer: